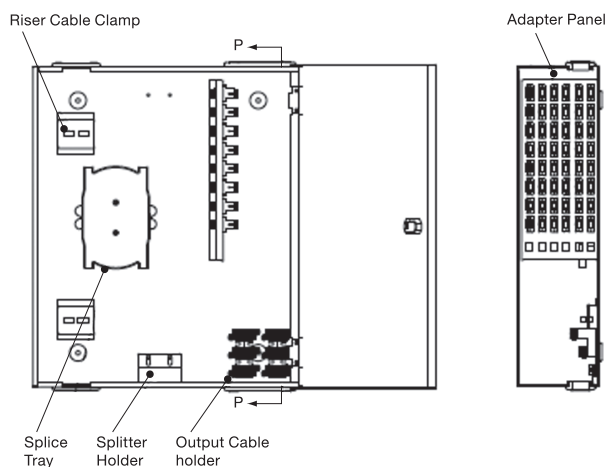


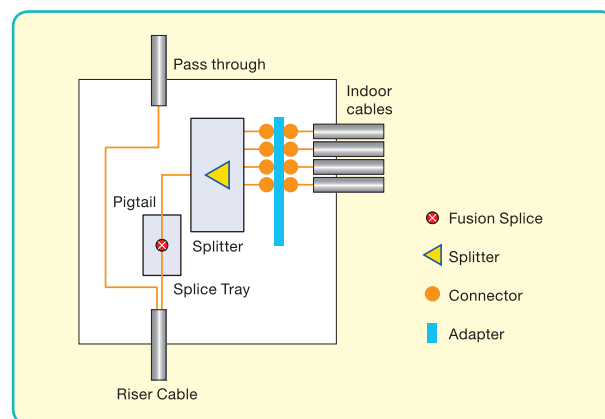
Access Network Point Application

ODP-HRB Series



Features & Benefits

- Security lock attached
- Plug-in operation in building
- Save install space in building



Applications

- FTTH indoor application
- Wall mount

Specifications

Item		ODP-HRB-32C	ODP-HRB-64C
Cable Input	Number Capacity	2	2
	Outer Diameter (mm)	7-22	
Cable Output	Number Capacity	Max. 32	Max. 64
	Outer Diameter (mm)	2 × 1.6 (Low friction indoor cable)	
Splitter Module Capacity	1 × 4	8	16
	1 × 8	4	8
Connector Type*		SC/APC (Green) or SC/UPC (Blue); Compliant with IEC61754-4	
Main Body		PC + ABS; Light gray; UL-94 V0 compliant	
Dimension (H × W × D mm)		H330 × W260 × D130	H412 × W312 × D140
Weight (Kg)		Approx. 2	Approx. 4
Degree of Protection		IEC 60529 reference	

* Please contact us for SC/APC type

Ordering Information

#	Model #	Description
1	ODP-HRB-32SC	Cabinet 1pc, accessory kit 1set, assembly manual
2	ODP-HRB-64SC	Cabinet 1pc, accessory kit 1set, assembly manual

Option

Item	Description
FWGC-SR15 Splitter	Preconnectorized bare splitter
Pigtail	SC connector 0.9 mm pigtail

Notes