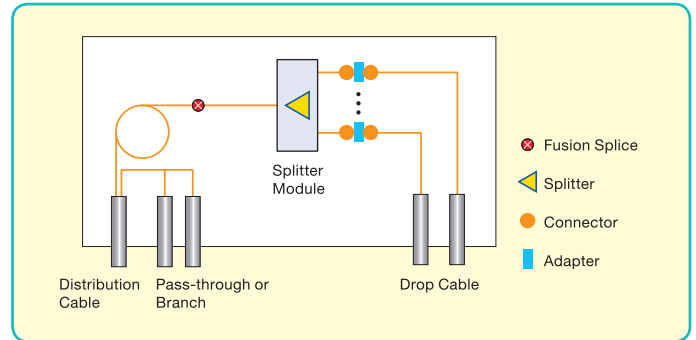
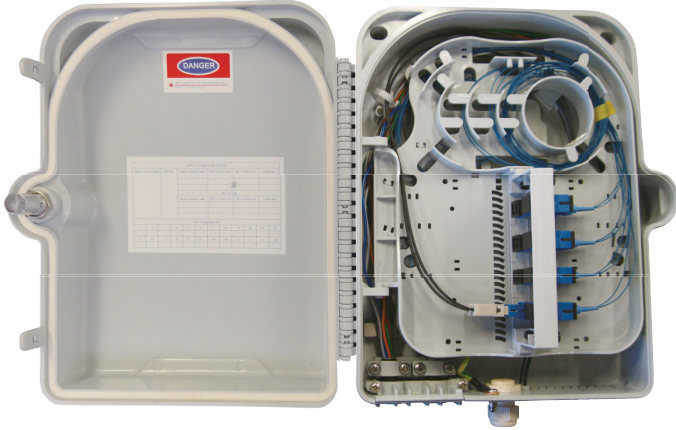


Access Network Point Application

ODP-BR Series

Features & Benefits

- Easy installation and maintenance
- Built-in fiber splice tray
- Can be used for branching
- Pole or wall mount installation



Applications

- FTTH MDU/SDU outdoor installation
- Wall or pole mount

Specifications

Item	ODP-BR-8C	ODP-BR-16C
Cable Input	3	3
Cable Type	OD 7-9 mm with Grommet	
Capacity	Standard drop cable	
Cable Output	16	16
Cable Type	Standard drop cable	
Capacity	16	16
Splitter Capacity (1 × 4, 1 × 8)	2	
Number of SC Adapter	8	16
Connector Type	SC/APC (Green) or SC/U/PC (Blue); IEC 61754-4 compliant	
Main Body	PC+ABS, Light gray	
Dimension (H × W × D mm)	H339 × W276 × D100	
Weight (Kg)	Approx. 2	
Degree of Protection	IP54 compliant; IEC 60529 compliant; Temperature: up to 65°C; humidity: up to 95% at 35°C without condensation	

** Please contact us for SC/APC type

Ordering Information

#	Model #	Description
1	ODP-BR-8C	Cabinet 1pc, 8-SC adapter plate 1pc, mounting kit 2 pcs, accessory kit 1set, assembly manual, fuse sleeve 1pc
2	ODP-BR-16C	Cabinet 1pc, 8-SC adapter plate 2pcs, mounting kit 2 pcs, accessory kit 1set, assembly manual, fuse sleeve 2pcs

Option

Item	Description
Splitter	PLC Type 1 × 8 Splitter
Pigtail	SC connector 0.9 mm pigtail