

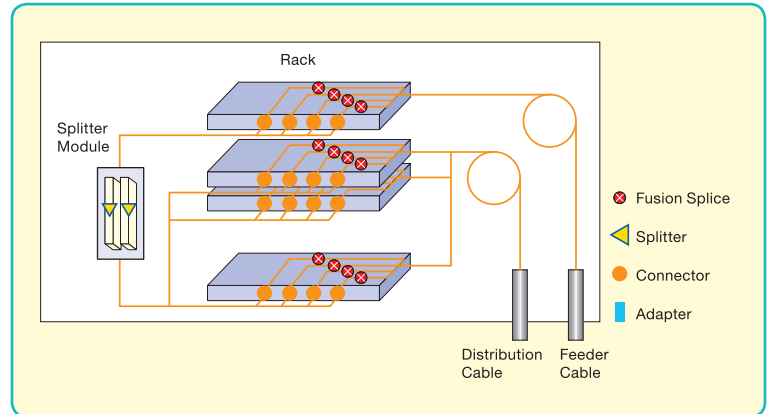
## Local Convergence Point Application

## ODC-C Series



## Features &amp; Benefits

- Expandable to larger capacity upon request
- Flexible capacity configuration
- Mount spaces for splitter module
- Parking lots for reserved connectors



## Applications

- FTTH OSP network applications.

## Specifications

| Item                                                            | ODC-C-96RD                                                                                                                                           | ODC-C-144RD | ODC-C-288RD         | ODC-C-576RD         |
|-----------------------------------------------------------------|------------------------------------------------------------------------------------------------------------------------------------------------------|-------------|---------------------|---------------------|
| Cable Entry<br>(Input / Output)                                 | Capacity                                                                                                                                             |             | 11                  | 24                  |
|                                                                 | Outer Diameter (mm)                                                                                                                                  |             | 7-23                |                     |
| Splitter Modules Capacity<br>(1 × 4 or 1 × 8 splitter module)   | 18                                                                                                                                                   | 18          | 36                  | 72                  |
| Splitter Modules Capacity<br>(1 × 16 or 1 × 32 splitter module) | 9                                                                                                                                                    | 9           | 18                  | 36                  |
| Number of Parking Lot                                           | 36                                                                                                                                                   |             | 66                  | 132                 |
| Connector Type**                                                | SC/APC (Green) or SC/UPC (Blue); Compliant with IEC61754-4                                                                                           |             |                     |                     |
| Main Body*                                                      | Fiber reinforced plastic (FRP); Light gray; UL-94 V0 compliant                                                                                       |             |                     |                     |
| Dimension (H × W × D mm)                                        | H1035 × W556 × D310                                                                                                                                  |             | H1450 × W756 × D360 | H1457 × W753 × D542 |
| Weight (Kg, included parts)                                     | Approx. 43                                                                                                                                           | Approx. 45  | Approx. 95          | Approx. 190         |
| Degree of Protection                                            | IP54;<br>IEC 60529, IEC 61300-2-1, IEC60068-2-6, IEC 6130-3-3 compliant<br>Temperature: up to 65°C; Humidity: up to 95% at 35°C without condensation |             |                     |                     |

\* Please contact us for steel type

\*\* Please contact us for SC/APC type

## Ordering Information

| # | Model #     | Description                                                                                                                |
|---|-------------|----------------------------------------------------------------------------------------------------------------------------|
| 1 | ODC-C-96RD  | Cabinet 1pc, pedestal 1pc, splicing tray 8pcs, accessory kit 1set, SC pigtail 96pcs, fuse sleeve 96pcs, assembly manual    |
| 2 | ODC-C-144RD | Cabinet 1pc, pedestal 1pc, splicing tray 12pcs, accessory kit 1set, SC pigtail 144pcs, fuse sleeve 144pcs, assembly manual |
| 3 | ODC-C-288RD | Cabinet 1pc, pedestal 1pc, splicing tray 24pcs, accessory kit 1set, SC pigtail 288pcs, fuse sleeve 288pcs, assembly manual |
| 4 | ODC-C-576RD | Cabinet 1pc, pedestal 1pc, splicing tray 48pcs, accessory kit 1set, SC pigtail 576pcs, fuse sleeve 576pcs, assembly manual |

## Option

| Item                 | Description     |
|----------------------|-----------------|
| FSC121 type splitter | Splitter module |