

Digital Output Semiconductor Pressure Sensor

AT7 Series

Description

The AT7 pressure sensor series is composed of a silicon piezoresistive pressure sensing chip and a signal conditioning integrated circuit. The low-level signal from the sensing chip is amplified, temperature compensated, calibrated and finally converted to digital data that is proportional with the applied pressure. The AT7 series measures gauge pressure.



AT7

Features

- Miniature 4 mm x 4 mm SMT package
- Digital output
- High accuracy $\pm 1.5\%$ FS
- Supply voltage 3.0, 3.3 & 5.0 Vdc
- Low supply current Max 3.5 mA
- Operating temperature -40 to 125°C
- Wide compensated temperature 0 to 85°C
- Customization available

Applications

- Battery-operated Devices
- Medical Devices
- Industrial Pneumatic Devices
- Consumer Devices

RoHS Compliant

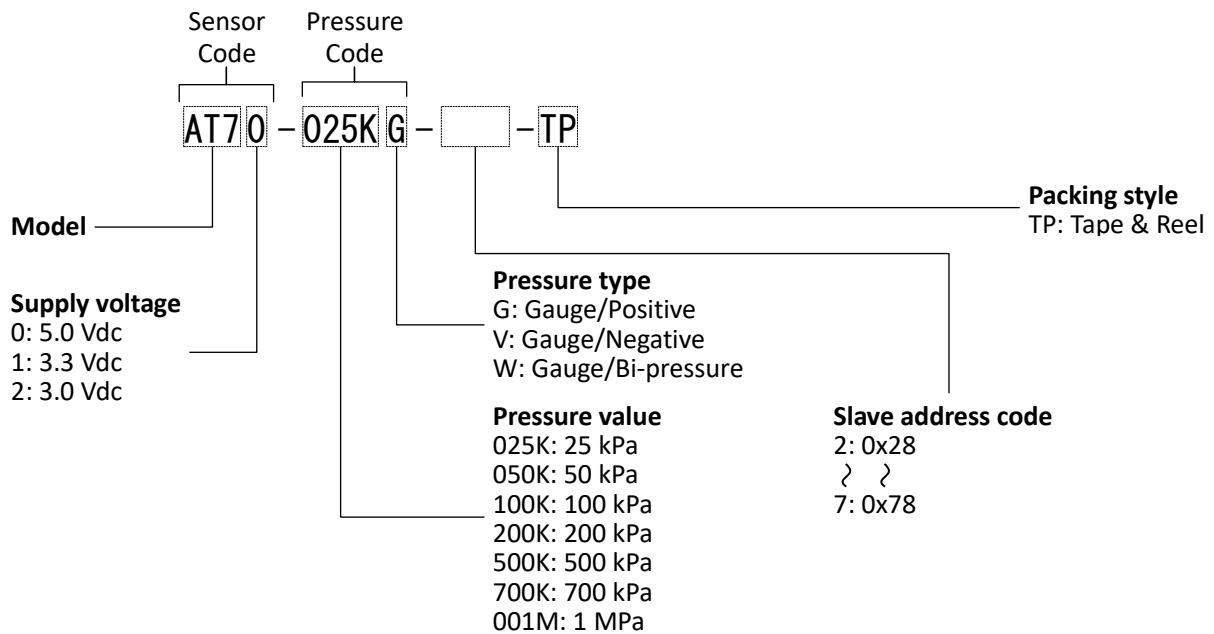
Device Lineup

Model	Pressure Type	Supply Voltage	Accuracy	Pressure Range																					
				-100 (-15)	-50 (-7)	0 (3)	25 (7)	50 (15)	100 (30)	200 (70)	500 (100)	700 (150)	1000 kPa (150)												
AT7	Gauge	5.0 Vdc	$\pm 1.5\%$ FS			025KG																			
						050KG																			
						100KG																			
						200KG																			
						500KG																			
				3.3 Vdc																					
				3.0 Vdc																					

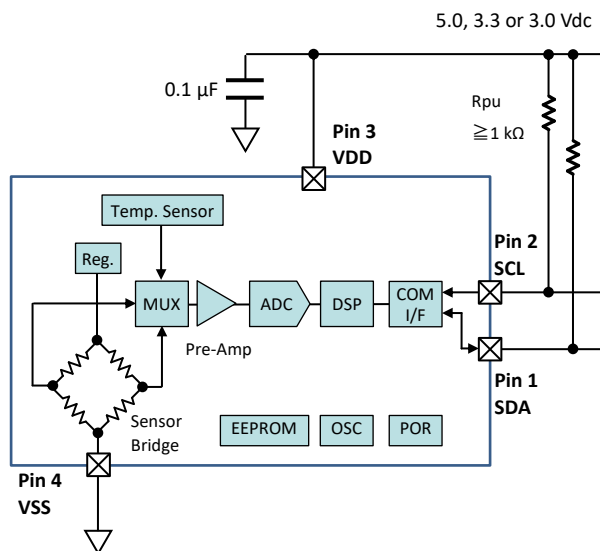
Digital Output Semiconductor Pressure Sensor

AT7 Series

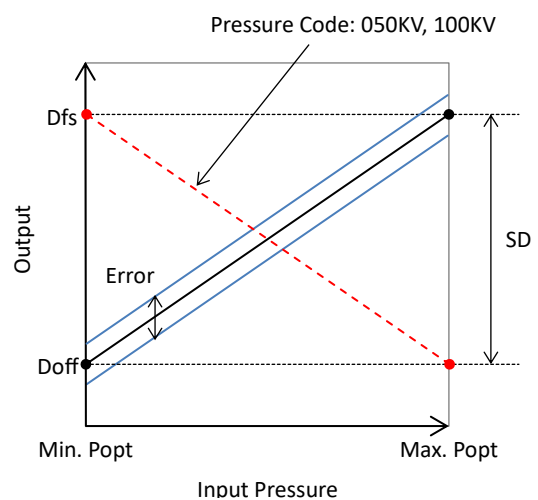
Device Name Code



Block Diagram



Output Characteristics



Digital Output Semiconductor Pressure Sensor

AT7 Series

Absolute Maximum Ratings

Item	Symbol	Rating	Unit
Supply Voltage	VDD _{max}	-0.3 to +6	Vdc
Voltage at Digital I/O Pins	V _{diomax}	-0.3 to VDD + 0.3	Vdc
Load Pressure	P _{max+}	See Pressure Range Table	
Operating Temperature	T _{opt}	-40 to +125	°C
Storage Temperature	T _{stg}	-40 to +125	°C

General Specifications

Item	Symbol	Sensor Code			Unit
		AT70	AT71	AT72	
Supply Voltage	VDD	5.0±0.25	3.3±0.165	3.0±0.15	Vdc
Type of Pressure	-	Gauge pressure			
Pressure Media	-	Non-corrosive gases			
Compensated Temperature	-	0 to +85			°C
Operating Humidity	H _{opt}	30 to 85 (non-condensing)			%RH
Storage Humidity	H _{stg}	30 to 85 (non-condensing)			%RH

Pressure Range

Item	Symbol	Pressure Code										Unit
		025KG	050KG	100KG	200KG	500KG	700KG	001MG	050KV	100KV	100KW	
Absolute Maximum Load Pressure	P _{max+}	+50	+100	+200	+400	+1000	+1400	+1500	+100	+200	+200	kPa
Measurement Pressure	P _{opt}	Min.	0	0	0	0	0	0	-50	-100	-100	
		Max.	+25	+50	+100	+200	+500	+700	+1000	0	0	

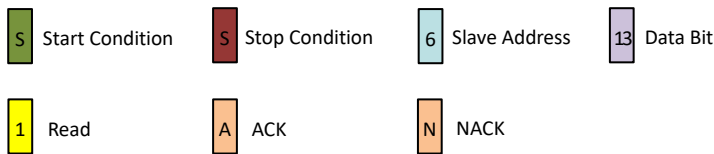
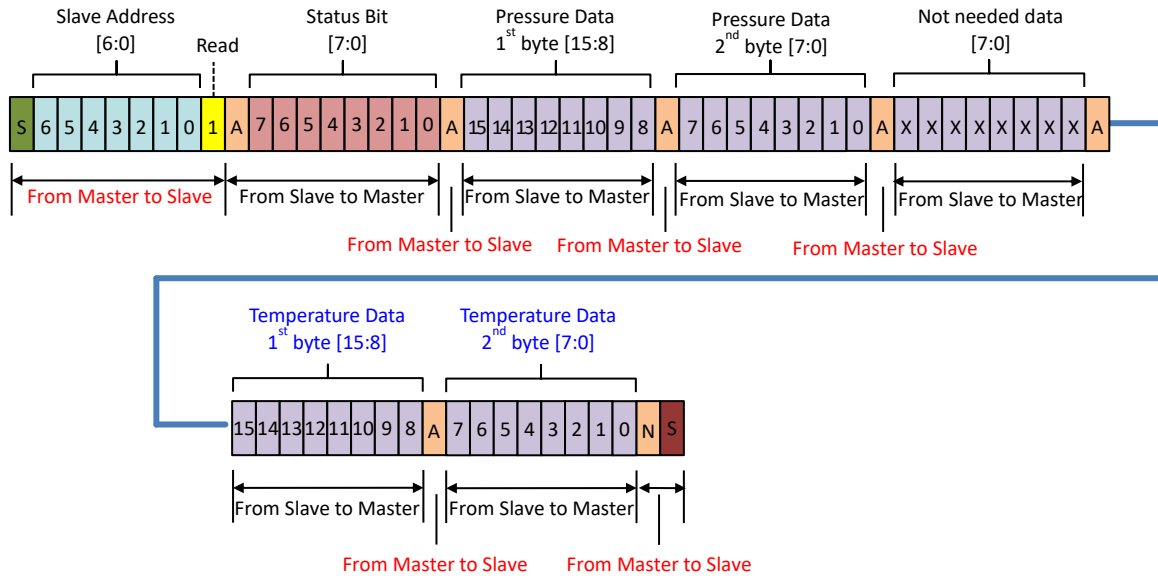
Electrical Characteristics

Ambient temperature Ta = 25°C

Item	Condition	Symbol	Rating			Unit
			Min.	Typ.	Max.	
Offset Pressure Data	Min. P _{opt} , 050KV & 100KV: Max. P _{opt}	Doff	2393	3277	4161	Count
Full Scale Pressure Data	Max. P _{opt} , 050KV & 100KV: Min. P _{opt}	Dfs	61375	62259	63143	Count
Span Pressure Data	Min. to Max. P _{opt}	SD	-	58982	-	Count
Accuracy	0 to 85°C	Error	-1.5	-	+1.5	%FS
Supply Current		Ic	-	-	3.5	mAdc
Response Time	for reference	tr	-	1	-	msec.

Communication Interface & Protocol

Item	Content
Interface	I ² C™
Slave Address	7 bit, 0x28 to 0x78
Measurement Packet	



- Sensor pressure output is 16bit which are 1st byte [15...8] and 2nd byte [7...0].
- It is needed to take 3rd byte data in order to take the following temperature data, but 3rd byte data should be thrown away.
- Temperature output is 16bit.

I²C™ is a trademark of NXP Semiconductors.

Digital Output Semiconductor Pressure Sensor

AT7 Series

Package Dimensions

unit: mm

