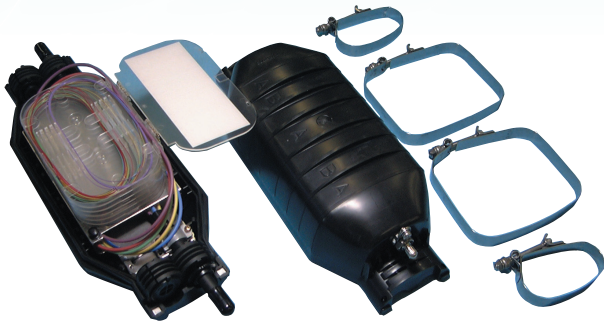


## Sealed Fiber optic splice Closure

**FSCO-CB / FSCO-CB3**

### ■ Features

Cable entrance configuration is In-line, which is suitable for space constrained hand holes (also possible to be used in man-holes, telephone tunnels and aerial, etc)

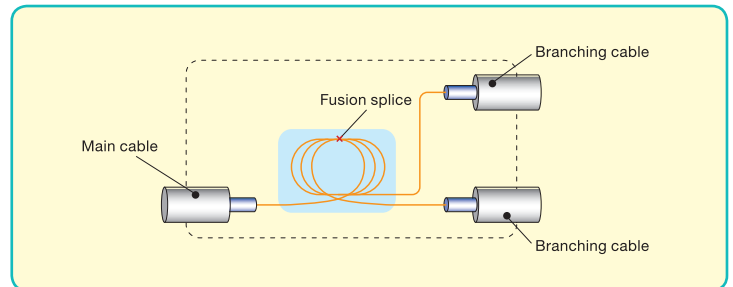
Closure adopts band mechanism, which makes dismantling/assembling easy.

Cable entry section can accommodate maximum 6 cables (main cable 2pcs, branching cable 4pcs)

Supports loose tube cable and slotted core cable.

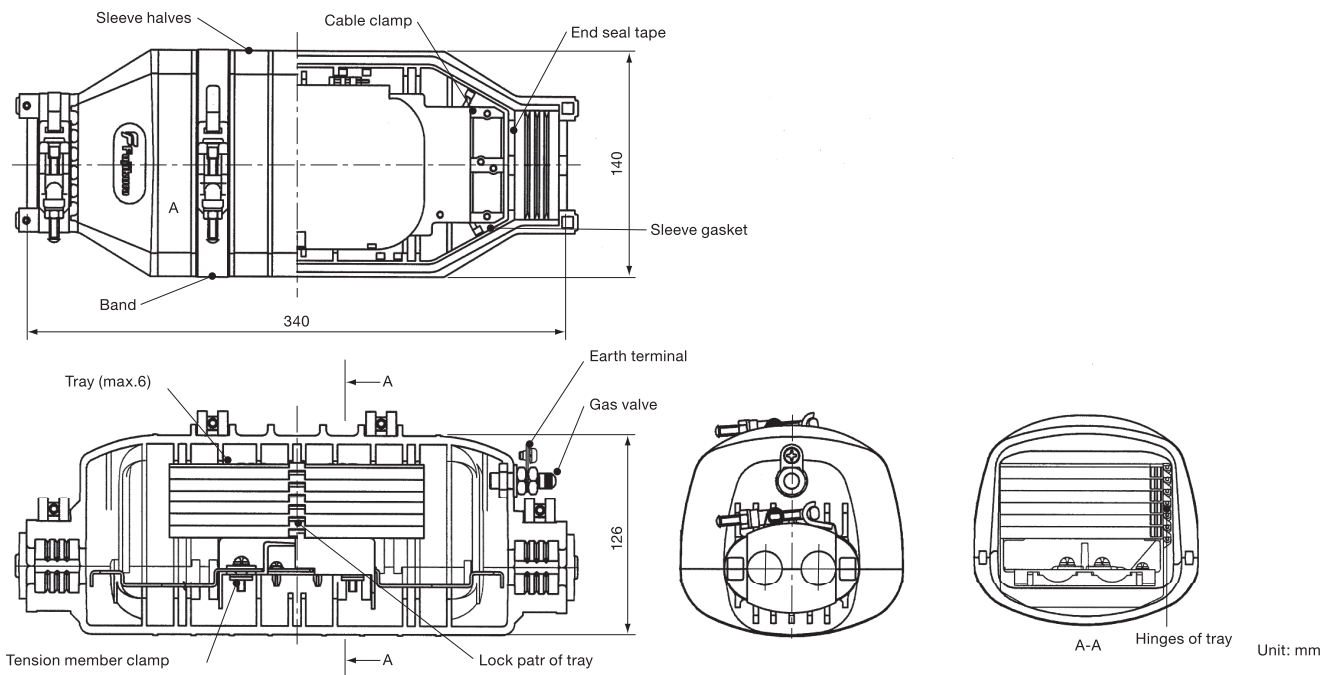
### ■ Applications

Closure is suitable for up to 96 single fiber splicing, which can cover most of the applications in the fiber distribution networks like Fiber To The Home / Fiber To The Curb (FTTH/FTTC). Underground, aerial, or pedestal applications are possible with this closure.



### ■ Structure

#### ● FSCO-CB Structure



# FSCO-CB / FSCO-CB3

## Specifications

### Physical characteristics

Item	FSCO-CB	FSCO-CB3
Material	<ul style="list-style-type: none"> <li>Molded plastic (Sleeve, Splice tray)</li> <li>Stainless steel (band),</li> <li>Anti-rusted steel (Connecting bar, Organizer)</li> <li>Synthetic rubber (Sleeve gasket, end seal tape)</li> </ul>	
Dimension (mm)	W140 × H126 × L340	W158 × H145 × L405
Weight (kg)	Approx. 3	Approx. 3
Fiber storage tray	Maximum 6	Maximum 8
Cable capacity	2 for main cable 2 for branch cable	2 for main cable 4 for branch cable
Maximum Fiber Storage	Single fiber	96 fibers (12 fibers / tray)
	4-fiber ribbon	160 fibers (5 ribbons / tray)
Cable diameter (mm)	8 - 21	

Note 1 : Fiber protection sleeve is attached to the product.

### Technical characteristics

ITU-T L.13 complied

Vibration IEC61300-2-1	49kPa, A=±5mm, f=10Hz, 1,000,000 Cy, No damage, No leakage.
Cable fixture (bend) IEC61300-2-37	49kPa, ±90° bending radius 6D, 6Cy. No damage, No leakage.
Cable torsion IEC61300-2-5	49kPa, 400mm, ±90 degree, -15°C and 45°C, 5Cy. No damage, No leakage.
Cable axial tension IEC61300-2-4	49kPa, D/45 x 1000N (Max.1000N), 1hr No leakage
Temperature cycling IEC61300-2-22	-20°C ~ 60°C, 8h/Cy 100Cy. Then fill 49kPa air-pressure, No leakage.
Impact IEC61300-2-12	0.5kg, 0.3m @-10C. No damage, No splice case degradation.
Immersion IEC61300-2-23	Water depth 5m, 7days, No water intrusion.
Air tightness IEC61300-2-38	49kPa@Room temperature, 15min. No leakage.
Degrees of protection (IP code) IEC60529	IP67 : Water proof and No effective by duct
Compression IEC61300-2-10	1000N, 25cm2, 10min, -15°C and 45°C No leakage
Chemical Resistance IEC61300-2-34	pH2, pH12 for 5 days. No leakage, Visual appearance.
Rust resistance IEC61300-2-26	Salt spray 5% NaCl for 5days, No rust

## Ordering Information

### Product Code

**FSCO-CB / \*\* / X / Y / Z / <a1><a2><b1><b2>**

Tray type BH or BL

Presence of gas valve and earth terminal (Yes:2 No:1)

Number of slack Tray (1~6)

### Cable size

Cable diameter D (mm)	The size of cable clamp and sealing washer
8 ≤ D ≤ 11	S
11 ≤ D ≤ 16	M
16 ≤ D ≤ 21	L
End packing	E

Presence of optional parts (Yes:2 No:1)



**FSCO-CB3 / \*\* / X / Y / Z / <a1><a2><a3><b1><b2><a3>**

## Option

C sleeve	Fro FRP tension member use. Please order when Non-metallic cable installation
Re-entry kit	End seal tape 4pcs, Sleeve gasket 2pcs
Cable kit	Size S, M, L for additional branching cable